

# CRATING SPECIFICATIONS

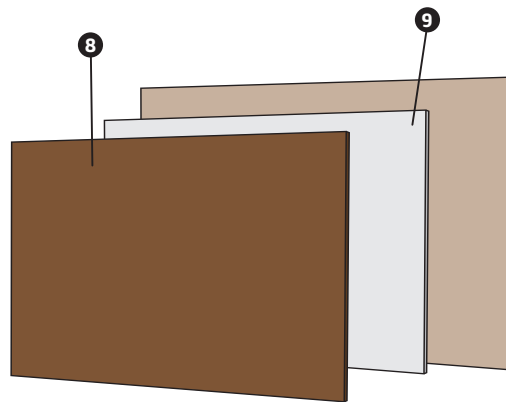
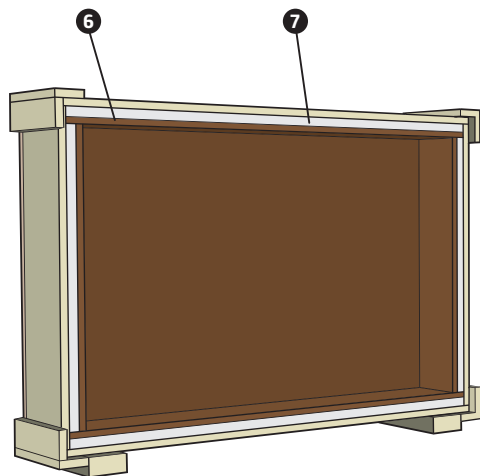
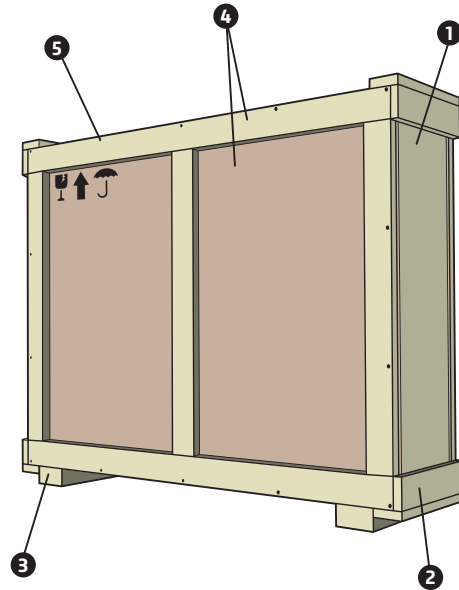


## BRONZE STANDARD

Basic plywood crate with polystyrene foam or polystyrene with triwall.

### COMPONENTS

1. 18mm ply frame.
2. 19x70mm timber corners.
3. 45x95mm timber runners.
4. Front and back composed of 9mm ply reinforced with 19x70mm timber batons.
5. Closed using 60mm screws.
6. Layer of 15mm triwall top bottom and sides.
7. Layer of 25mm polystyrene top bottom and sides.
8. Layer of 15mm triwall front and back.
9. Layer of 25mm polystyrene front and back.



# CRATING SPECIFICATIONS

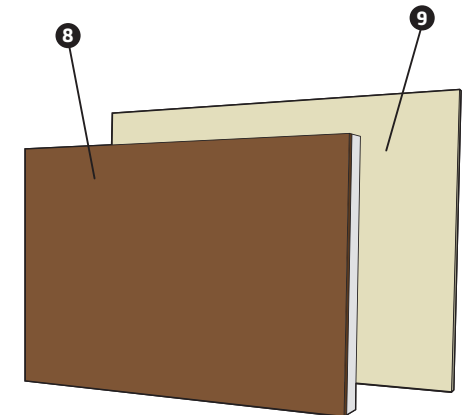
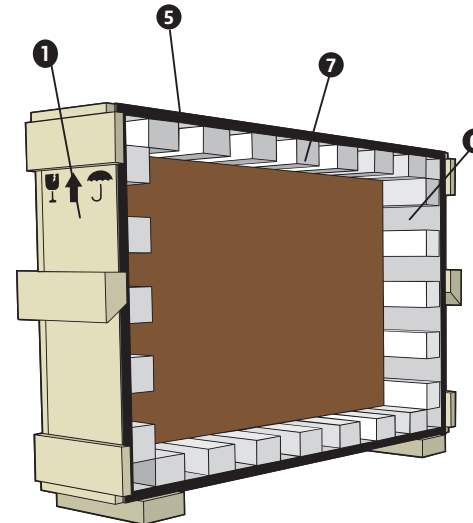
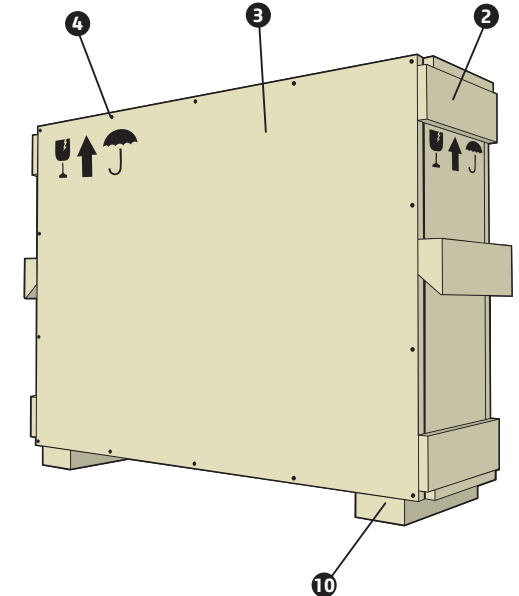


## SILVER STANDARD

18mm plywood crate with tyvek, polyurethane foam and triwall.

### COMPONENTS

1. 18mm ply frame.
2. 18mm ply corners.
3. Front and back 18mm ply.
4. Closed with 60mm screws.
5. Front lid sealed with neoprene gasket.
6. Lined in tyvek.
7. 100x50mm polyurethane blocks top, bottom and sides.
8. Layer of 15mm triwall front and back.
9. Triwall reinforced with 50mm polyurethane strips.
10. 45x95mm timber runners.



# CRATING SPECIFICATIONS

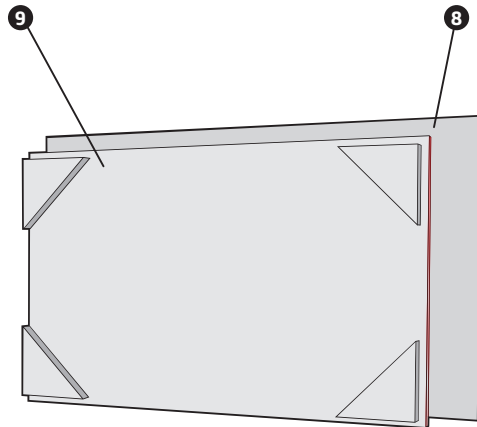
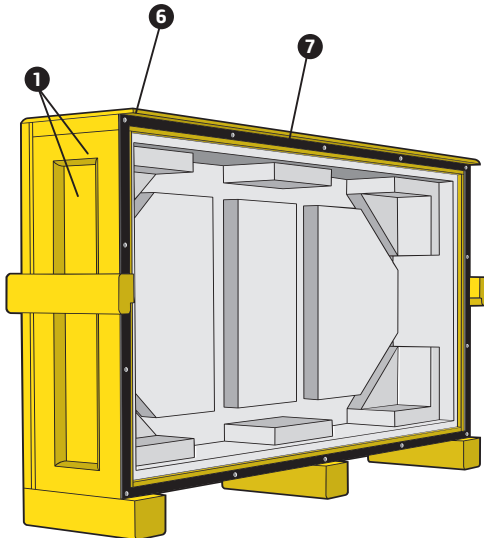
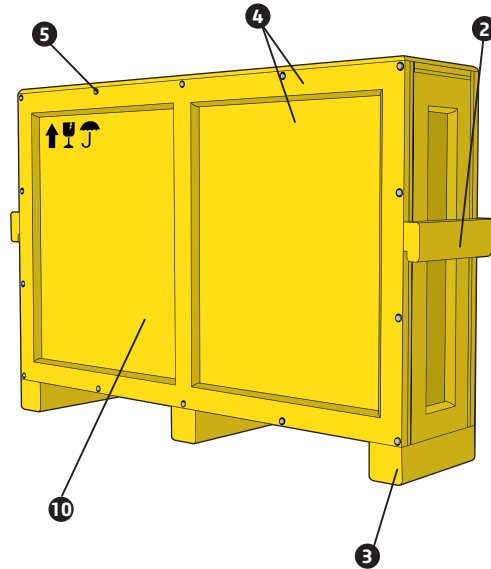


## GOLD AND DIAMOND STANDARD

Full museum standard crate with (Diamond) and without (Gold) weather protection.

### COMPONENTS

1. Frame constructed with 12mm ply reinforced with 75mm batons.
2. Rounded timber handles 550mm from floor.
3. 95x95mm timber runners.
4. Front and back composed of 12mm ply reinforced with 75mm batons.
5. Closed using captive bolts.
6. Layer of 12mm ply on top.
7. Front lid sealed with neoprene gasket.
8. Lined in tyvek.
9. Lining composed of 25mm and 50mm polyurethane foam.
10. Painted or varnished (Diamond).



# CRATING SPECIFICATIONS

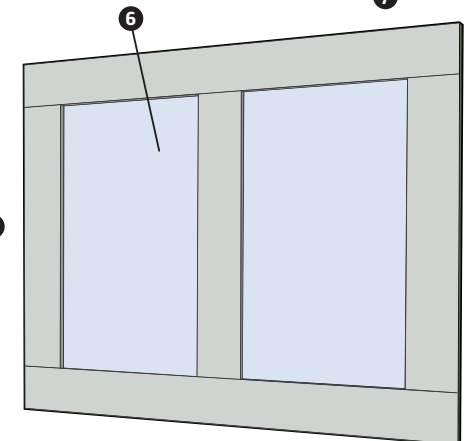
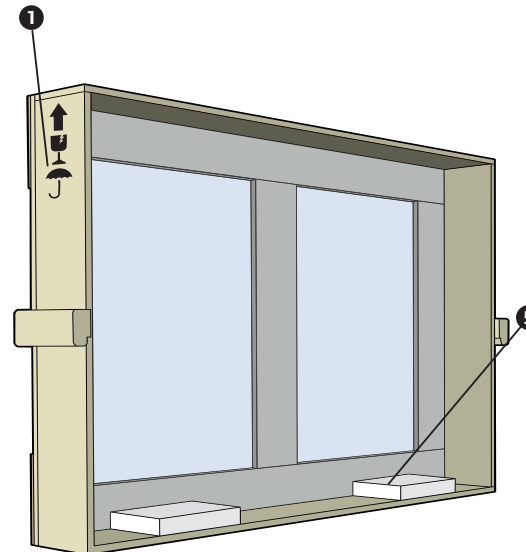
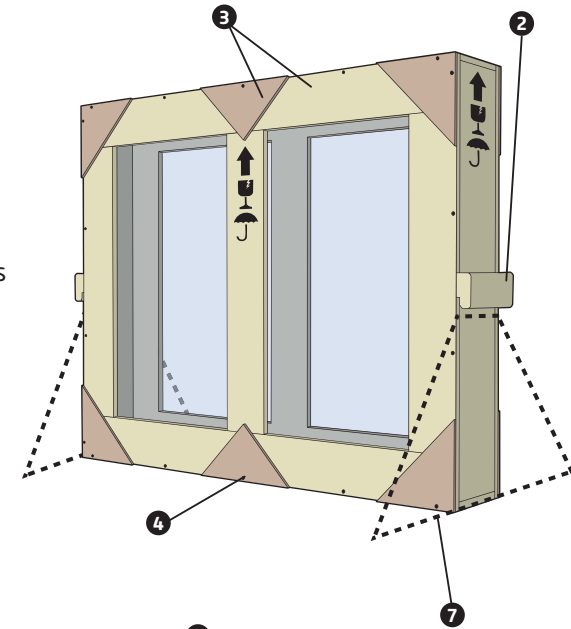


## TRANSIT FRAME

18mm travel frame with polythene sheeting, optional A frame and polyurethane support blocks.

### COMPONENTS

1. 18mm ply frame.
2. Rounded timber handles 550mm from floor.
3. Front and back constructed with 18mm ply frame reinforced with 9mm corners.
4. Closed using 60mm screws.
5. 50mm polyurethane resting blocks (Optional).
6. Sealed with polythene sheeting.
7. 'A' frame can be added.
8. Metal handles also available.
9. Front can be sealed with polythene only.



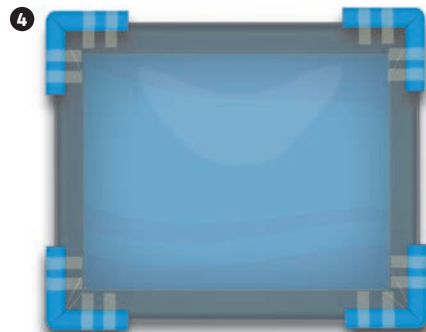
# SOFT PACK SPECIFICATIONS



## UNGLAZED WORK

Incorporating glassine, polythene, foam edging and kraft paper, card or triwall.

1. Canvas is exposed.
2. A layer of glassine is applied.
3. A layer of polythene is added.
4. Foam corners are added.
5. Finished using kraft paper, card or triwall.



# SOFT PACK SPECIFICATIONS



## GLAZED WORK

Incorporating glass tape, polythene, foam edging and kraft paper, card or triwall.

1. Work is glass fronted.
2. Glass tape is applied.
3. A layer of polythene is added.
4. Foam corners are added.
5. Finished using kraft paper, card or triwall.

